



**Product Name: REVO SPORT**

## General information

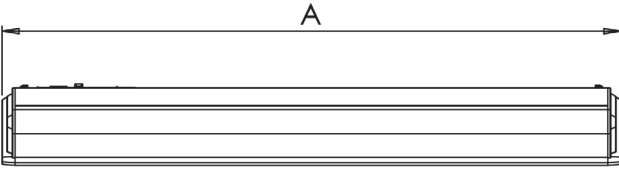
- This luminaire must be installed in accordance with the latest edition of the IET Wiring Regulations and local Building Regulation by a qualified competent person.
- The mains power supply must be turned off before inspection, installation or removal of the luminaire, ensuring that the supply is locked off to prevent inadvertently switching the supply on.
- It is the installer's responsibility to ensure that the installation is suitable for the total load of the luminaire(s). The supply cable fuses/circuit breakers must be correctly rated for the electrical load and taking into account for any transient inrush currents that may occur.
- It is the installer's responsibility to ensure that the environmental operating and storage conditions are complied with and that any fire risks are considered.
- Do not perform insulation strength or insulation resistance tests on the installation with the luminaire(s) connected, this can damage the luminaires and give erroneous readings.
- Do not loop-in supply cables at the luminaire supply terminals unless there is provision for 2-way connection at the terminals.
- The light source contained in this luminaire must only be replaced by TamLite Lighting or an appointed service agent.
- Emergency lighting luminaires must be installed and maintained in accordance with the emergency lighting standard BS 5266-1.
- To ensure that the product warranty remains valid, the luminaire must be installed and maintained in accordance with these installation instructions and the product must not be modified in any way.

-  Luminaires marked with this symbol must not be covered with thermally insulating material.
-  This symbol on covers over light sources indicates dangerous live parts do not operate the luminaire with this cover removed.

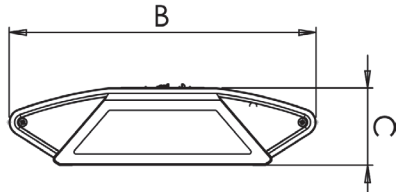
## Dimensions

	A (mm)	B (mm)	C (mm)
<b>RVSW900 / RVSW1200 / RVSW1500 / RVSW1800 / RVSW2100 / RVSW2400 /RVSW3000</b>	1200	300	75



A



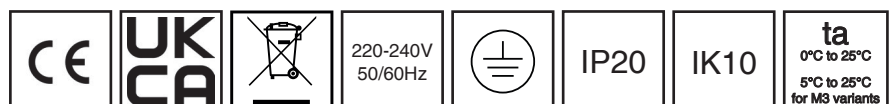
B

C

**Page 1 of 3**

Tamlite Technical  
 Stafford Park 12,  
 Telford, Shropshire,  
 TF3 3BJ

+44(0)1952 292441  
 technical@tamlite.co.uk  
 Document No: V2



Product Name: REVO SPORT

<p><b>1</b></p> <p>Remove the product from its packaging.</p>	<p><b>2</b></p> <p>Install suspension wires around suitable mounting points.</p>
<p><b>3</b></p> <p>Attach clutch assembly to pre fitted wire and insert suspension wire. Adjust to suit.</p>	<p><b>4</b></p> <p>Release the catch on the power inlet flap and open to access the terminals</p>
<p><b>5</b></p> <p>Bring supply cable through the power flap and integrated cable grip.</p>	<p><b>6</b></p> <p>Terminations shown for standard and emergency variants.</p>
<p><b>7</b></p> <p>Terminations shown for DALI dimmable and DALI emergency variants.</p>	<p><b>8</b></p> <p>Close power flap and latch in to place.</p>

Page 2 of 3

Tamlite Technical  
 Stafford Park 12,  
 Telford, Shropshire,  
 TF3 3BJ

+44(0)1952 292441  
 technical@tamlite.co.uk  
 Document No: V2

			220-240V 50/60Hz		IP20	IK10	ta 0°C to 25°C 5°C to 25°C for M3 variants
--	--	--	---------------------	--	------	------	---



Product Name: REVO SPORT

