



## Product Name: LOGIK L CONTINUOUS

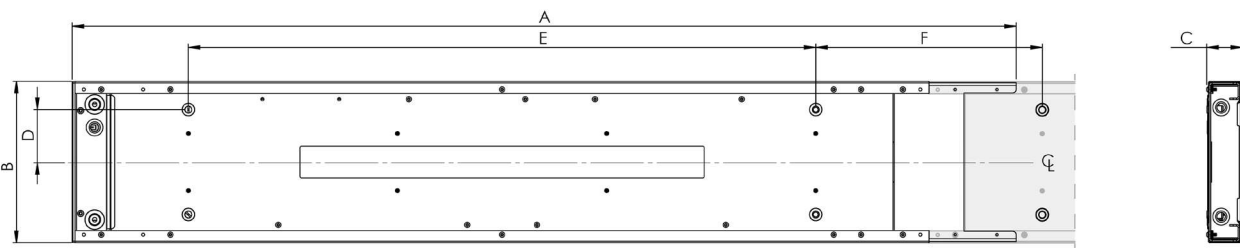
### General information

- This luminaire must be installed in accordance with the latest edition of the IET Wiring Regulations and local Building Regulation by a qualified competent person.
- The mains power supply must be turned off before inspection, installation or removal of the luminaire, ensuring that the supply is locked off to prevent inadvertently switching the supply on.
- It is the installer's responsibility to ensure that the installation is suitable for the total load of the luminaire(s). The supply cable fuses/circuit breakers must be correctly rated for the electrical load and taking into account for any transient inrush currents that may occur.
- It is the installer's responsibility to ensure that the environmental operating and storage conditions are complied with and that any fire risks are considered.
- Do not perform insulation strength or insulation resistance tests on the installation with the luminaire(s) connected, this can damage the luminaires and give erroneous readings.
- Do not loop-in supply cables at the luminaire supply terminals unless there is provision for 2-way connection at the terminals.
- The light source contained in this luminaire must only be replaced by Tamlite Lighting or an appointed service agent.
- Emergency lighting luminaires must be installed and maintained in accordance with the emergency lighting standard BS 5266-1.
- To ensure that the product warranty remains valid, the luminaire must be installed and maintained in accordance with these installation instructions and the product must not be modified in any way.

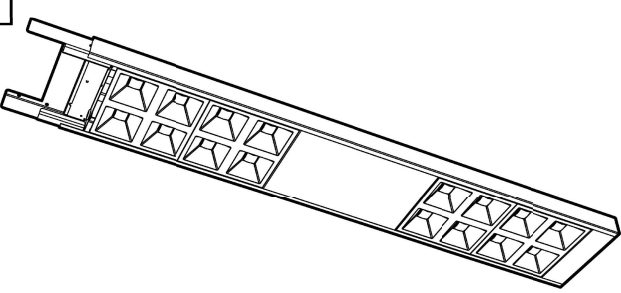
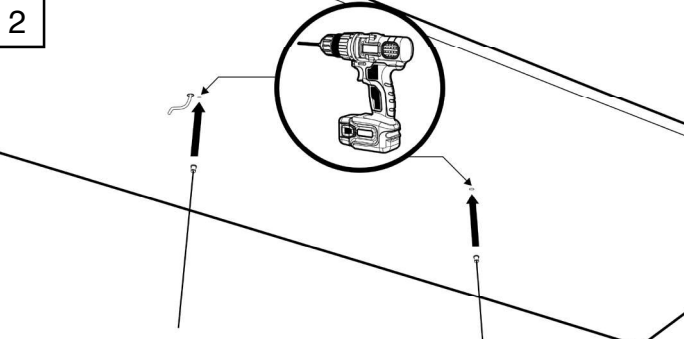
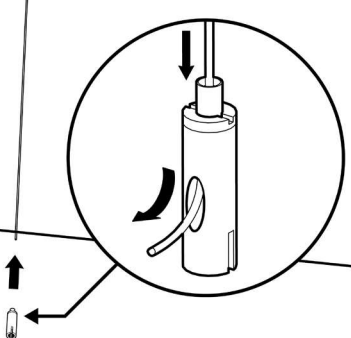
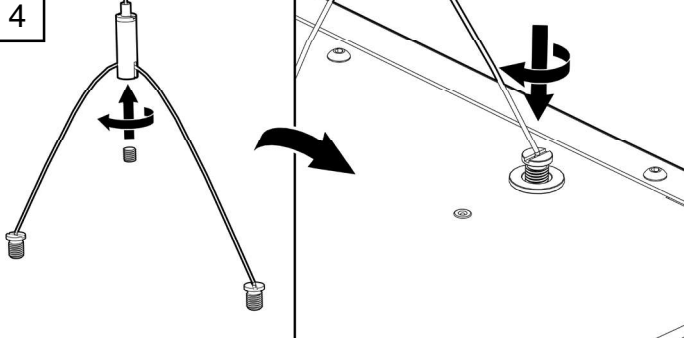
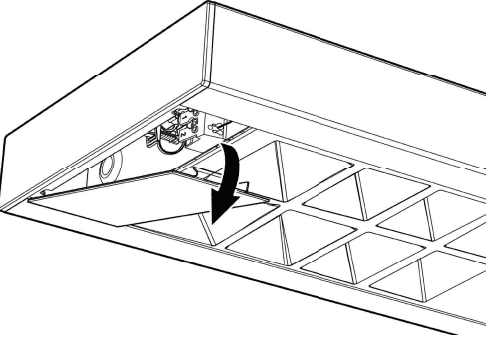
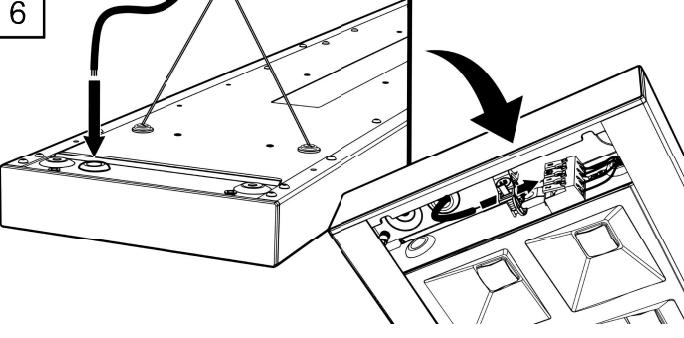
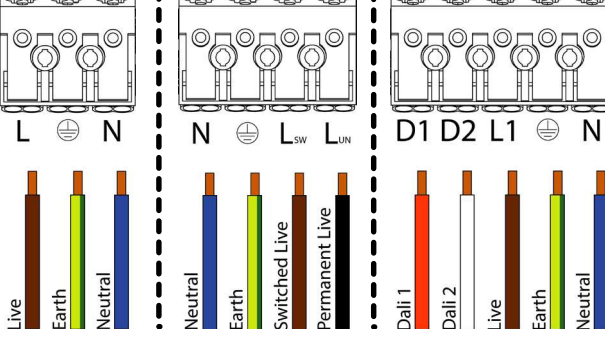
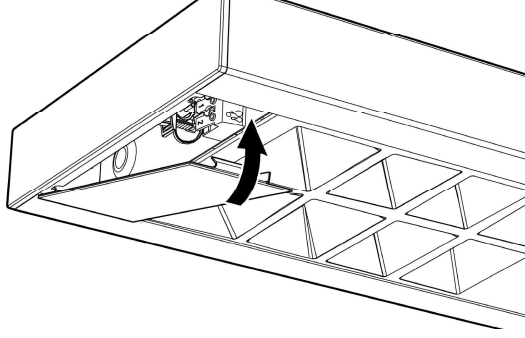
-  Luminaires marked with this symbol must not be covered with thermally insulating material.
-  This symbol on covers over light sources indicates dangerous live parts do not operate the luminaire with this cover removed.

### Dimensions

	A (mm)	B (mm)	C (mm)
LKS4300 / LKS4400 / LKS4500	1386	230	51
LKS5300 / LKS5400 / LKS5500	1636	230	51
<b>FIXING POINTS</b>			
	D (mm)	E (mm)	F (mm)
LKS4300 / LKS4400 / LKS4500	75	1000	257
LKS5300 / LKS5400 / LKS5500	75	1250	257





Product Name: LOGIK L CONTINUOUS

<p><b>1</b></p>  <p>Remove the product from its packaging.</p>	<p><b>2</b></p>  <p>Prepare appropriate holes in the mounting surface and fit cable suspensions.</p>
<p><b>3</b></p>  <p>Attach suspension clutches to the suspension wires.</p>	<p><b>4</b></p>  <p>Install the cable suspensions in to the threaded points on the luminaire.</p>
<p><b>5</b></p>  <p>Use a flat tool to remove the terminal cover plate.</p>	<p><b>6</b></p>  <p>Bring incoming supply cable in to the terminal enclosure.</p>
<p><b>7</b></p>  <p>Terminations shown for standard, emergency and Dali variants.</p>	<p><b>8</b></p>  <p>Replace the terminal cover plate.</p>

Page 2 of 3

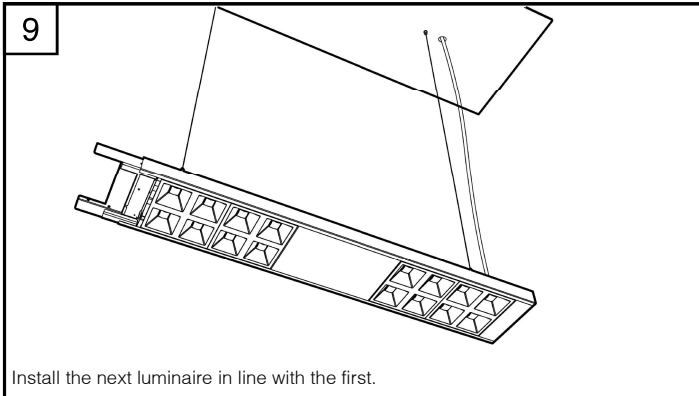
Tamlite Technical  
 Stafford Park 12,  
 Telford, Shropshire,  
 TF3 3BJ

+44(0)1952 292441  
 technical@tamlite.co.uk  
 Document No: V1

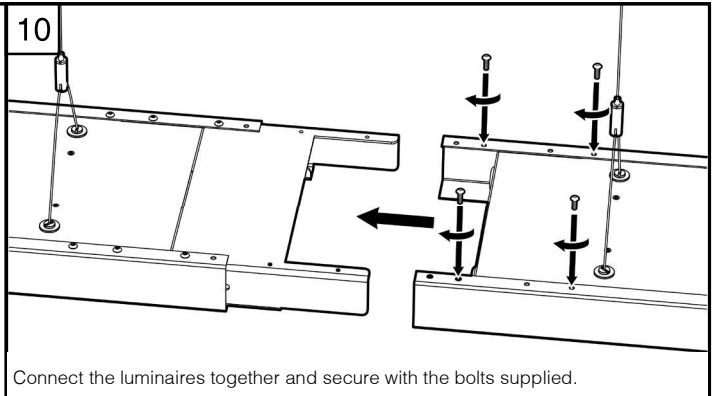
			<p>220-240V 50/60Hz</p>		<p>IP20</p>	<p>ta 0°C to 25°C 5°C to 25°C for M3 variants</p>
---	---	--	-----------------------------	---	-------------	---



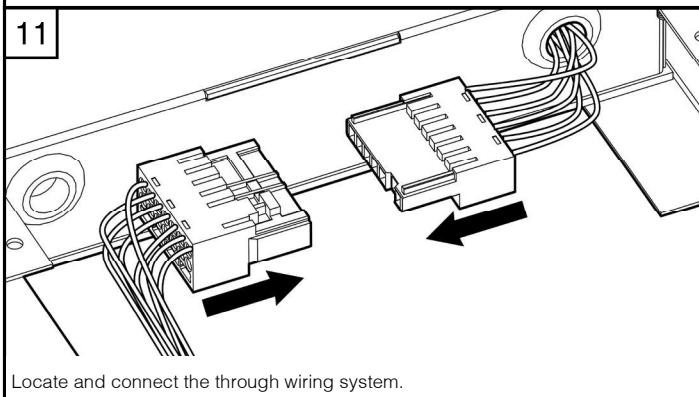
Product Name: LOGIK L CONTINUOUS



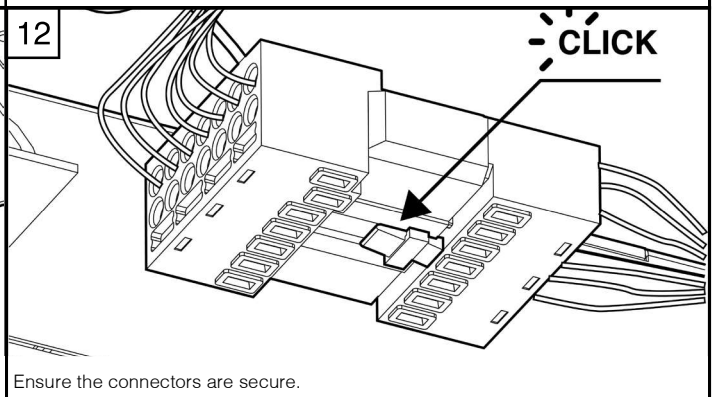
Install the next luminaire in line with the first.



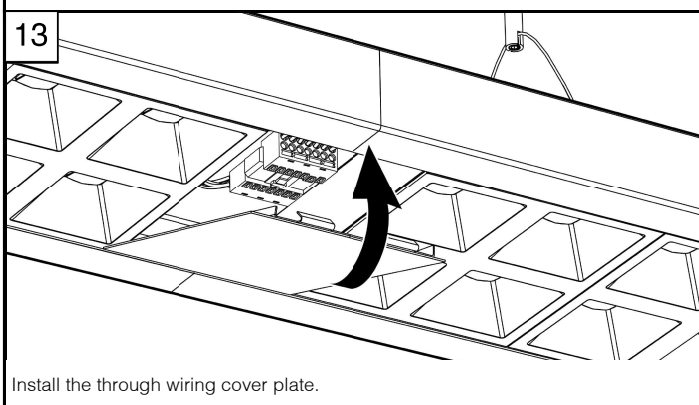
Connect the luminaires together and secure with the bolts supplied.



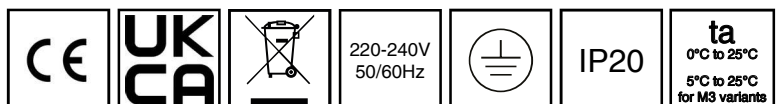
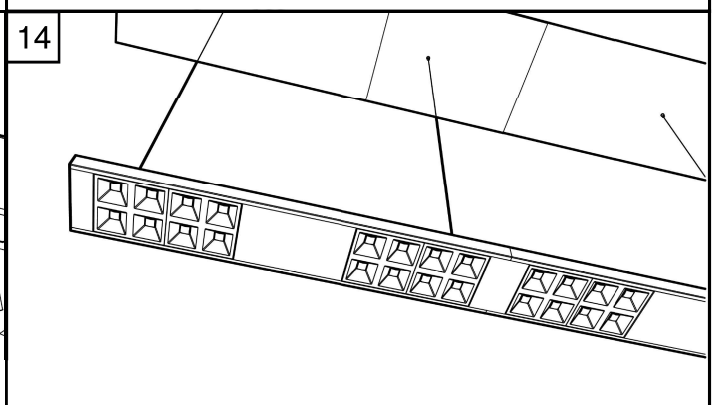
Locate and connect the through wiring system.



Ensure the connectors are secure.



Install the through wiring cover plate.





Tamlite Technical  
Stafford Park 12,  
Telford, Shropshire,  
TF3 3BJ

☎ +44(0)1952 292441

✉ [technical@tamlite.co.uk](mailto:technical@tamlite.co.uk)

Document No: V1