

Product Name: 24V LED TAPE

General information

- This luminaire must be installed in accordance with the latest edition of the IET Wiring Regulations and local Building Regulation by a qualified competent person.
- The mains power supply must be turned off before inspection, installation or removal of the luminaire, ensuring that the supply is locked off to prevent inadvertently switching the supply on.
- It is the installer's responsibility to ensure that the installation is suitable for the total load of the luminaire(s). The supply cable fuses/circuit breakers must be correctly rated for the electrical load and taking into account for any transient inrush currents that may occur.
- It is the installer's responsibility to ensure that the environmental operating and storage conditions are complied with and that any fire risks are considered.
- Do not perform insulation strength or insulation resistance tests on the installation with the luminaire(s) connected, this can damage the luminaires and give erroneous readings.
- Do not loop-in supply cables at the luminaire supply terminals unless there is provision for 2-way connection at the terminals.
- The light source contained in this luminaire must only be replaced by Tamlite Lighting or an appointed service agent.
- Emergency lighting luminaires must be installed and maintained in accordance with the emergency lighting standard BS 5266-1.
- To ensure that the product warranty remains valid, the luminaire must be installed and maintained in accordance with these installation instructions and the product must not be modified in any way.



Luminaires marked with this symbol must not be covered with thermally insulating material.

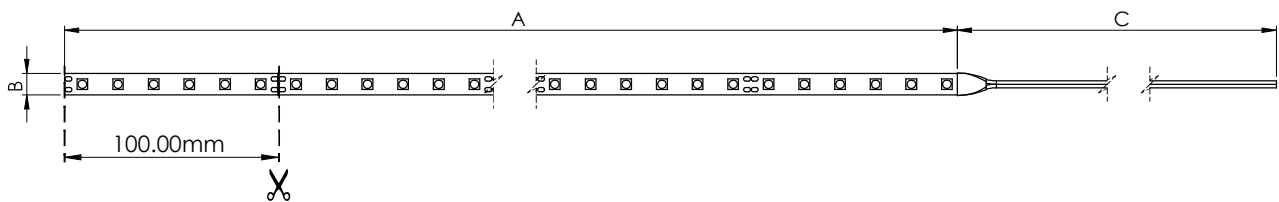


This symbol on covers over light sources indicates dangerous live parts do not operate the luminaire with this cover removed.

Dimensions

	A (mm)	B (mm)	C (mm)
FX241NW / FX241WW	1000	10	2000
FX242NW / FX242WW	2000	10	2000
FX243NW / FX243WW	3000	10	2000
FX244NW / FX244WW	4000	10	2000
FX245NW / FX245WW	5000	10	2000

	A (mm)	B (mm)	C (mm)
FX246NW / FX246WW	6000	10	2000
FX247NW / FX247WW	7000	10 <td 2000	
FX248NW / FX248WW	8000	10	2000
FX249NW / FX249WW	9000	10	2000
FX2410NW / FX2410WW	10000	10	2000



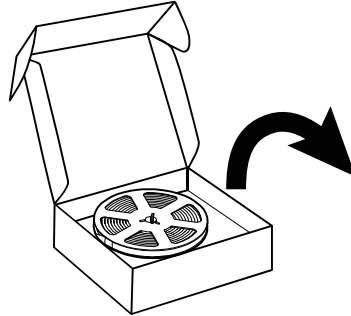
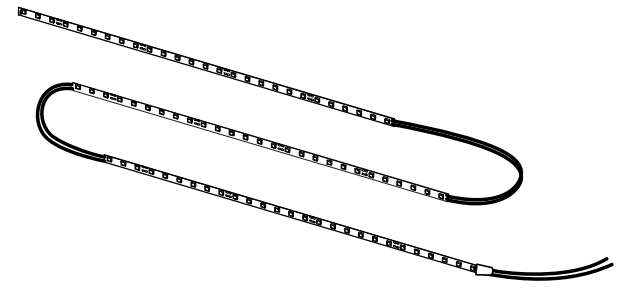
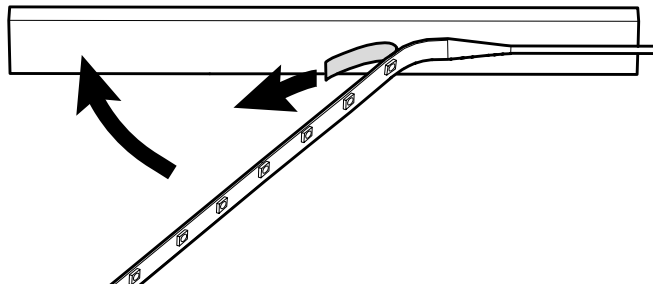
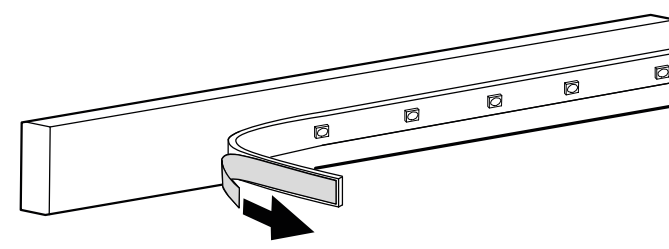
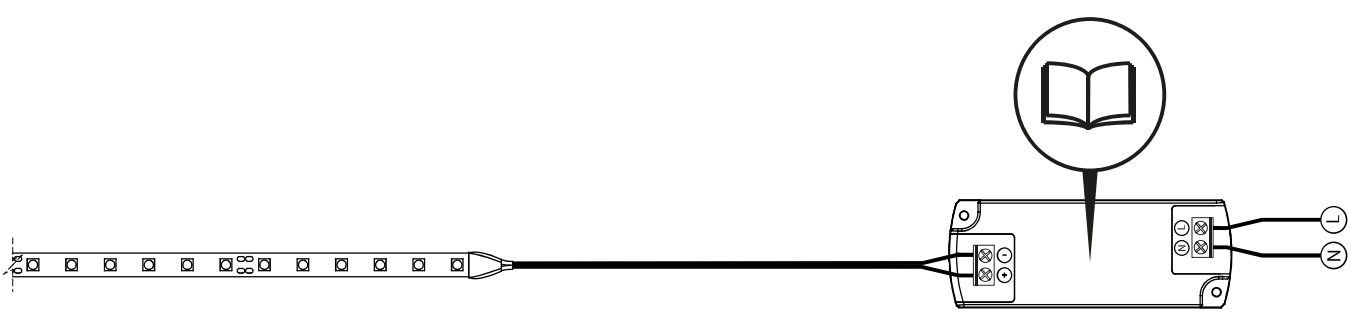
Warning!

This LED tape **MUST** be connected to a suitable driver.
Please refer to the driver's instructions.

INSTALLATION & OPERATING INSTRUCTIONS



Product Name: 24V LED TAPE

<p>1</p>  <p>Remove the product from the packaging.</p>	<p>2</p>  <p>Prepare LED tape for install.</p>
<p>3</p>  <p>Remove backing paper and attach LED tape to a clean, flat and dry surface.</p>	<p>4</p>  <p>Continue to install the tape, ensuring good contact with the mounting surface.</p>
<p>5</p> <p>NOTE: Driver shown for reference only.</p>  <p>Connect to an appropriate power supply with reference to the instruction sheet supplied with the power supply.</p>	

Page 2 of 2

Tamlite Technical
Stafford Park 12,
Telford, Shropshire,
TF3 3BJ

+44(0)1952 292441
technical@tamllite.co.uk
Document No: V1

