



Product Name: CITY PATH

General information

- This luminaire must be installed in accordance with the latest edition of the IET Wiring Regulations and local Building Regulation by a qualified competent person.
- The mains power supply must be turned off before inspection, installation or removal of the luminaire, ensuring that the supply is locked off to prevent inadvertently switching the supply on.
- It is the installer's responsibility to ensure that the installation is suitable for the total load of the luminaire(s). The supply cable fuses/circuit breakers must be correctly rated for the electrical load and taking into account for any transient inrush currents that may occur.
- It is the installer's responsibility to ensure that the environmental operating and storage conditions are complied with and that any fire risks are considered.
- Do not perform insulation strength or insulation resistance tests on the installation with the luminaire(s) connected, this can damage the luminaires and give erroneous readings.
- Do not loop-in supply cables at the luminaire supply terminals unless there is provision for 2-way connection at the terminals.
- The light source contained in this luminaire must only be replaced by TamLite Lighting or an appointed service agent.
- Emergency lighting luminaires must be installed and maintained in accordance with the emergency lighting standard BS 5266-1.
- To ensure that the product warranty remains valid, the luminaire must be installed and maintained in accordance with these installation instructions and the product must not be modified in any way.

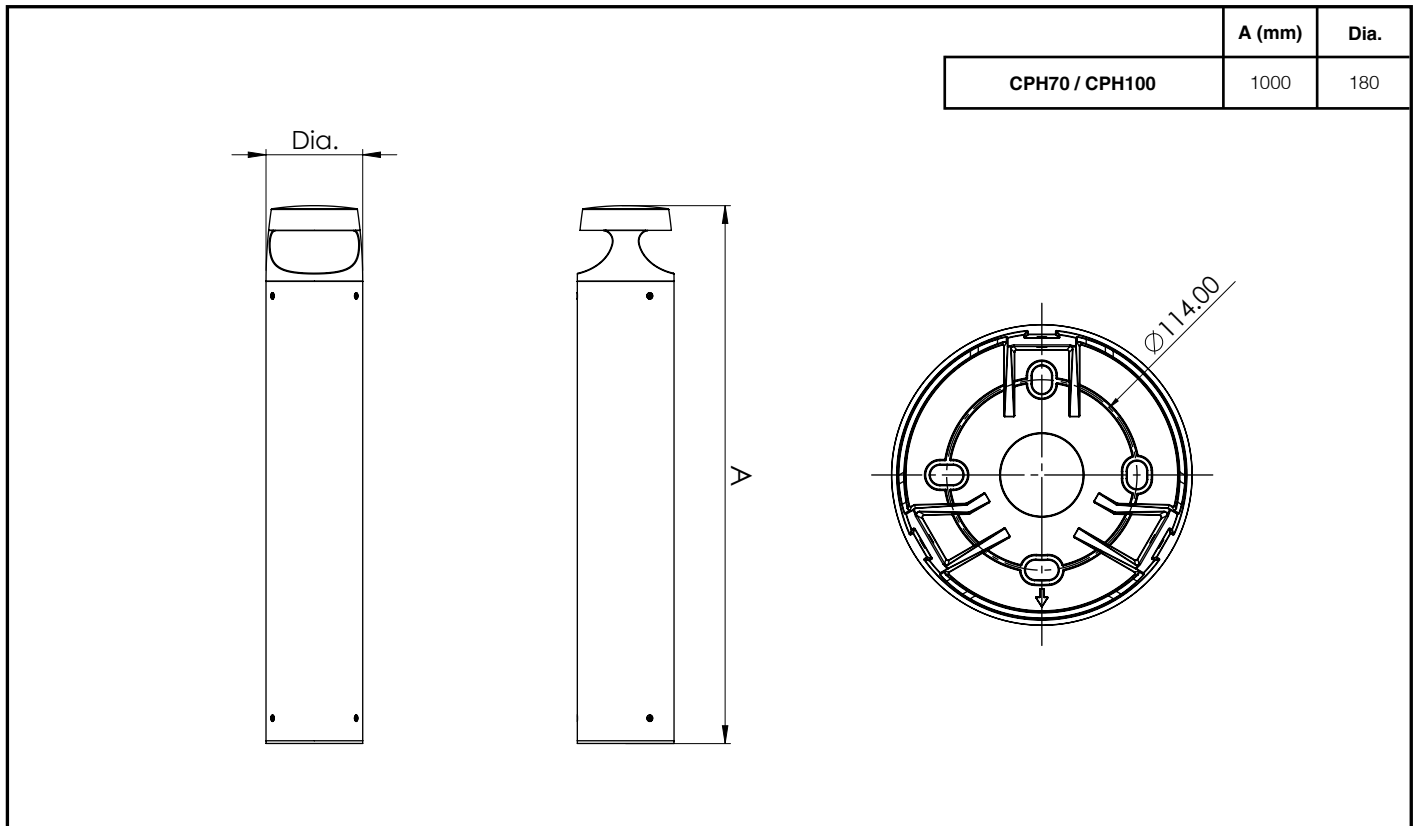


Luminaires marked with this symbol must not be covered with thermally insulating material.



This symbol on covers over light sources indicates dangerous live parts do not operate the luminaire with this cover removed.

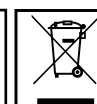
Dimensions



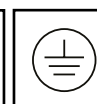
Page 1 of 4

Tamlite Technical
Stafford Park 12,
Telford, Shropshire,
TF3 3BJ

+44(0)1952 292441
technical@tam-lite.co.uk
Document No: V2



220-240V
50/60Hz

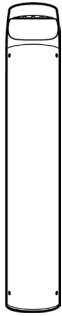
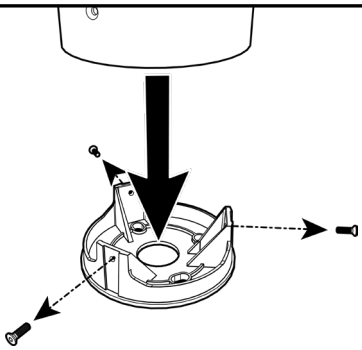
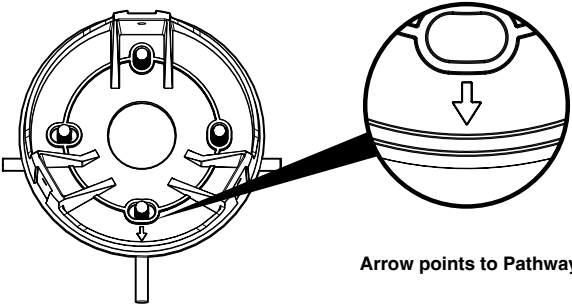
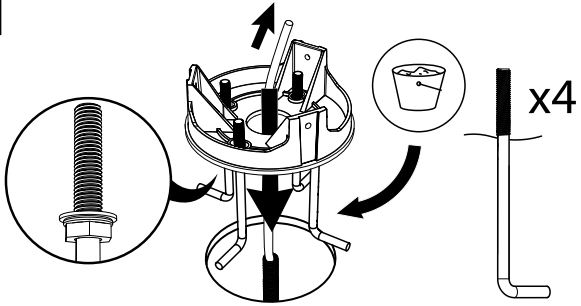
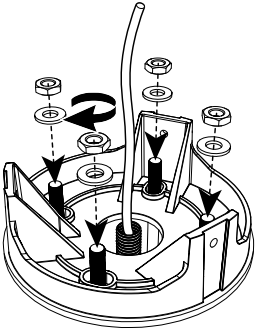
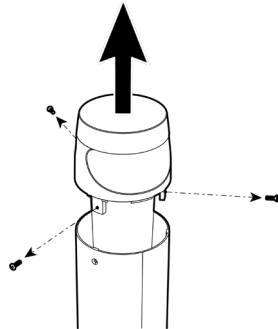
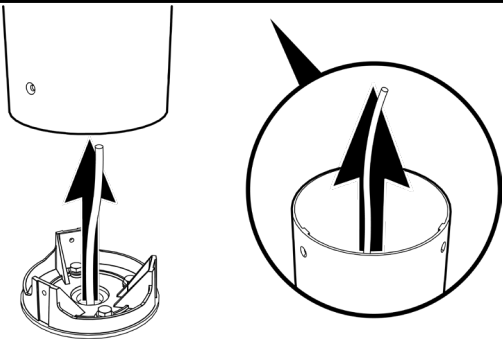
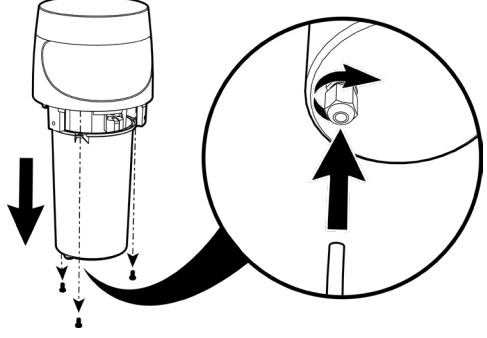


IP65

IK10

ta
-20°C to 25°C
5°C to 25°C
for M3 variants





Product Name: CITY PATH

| | |
|--|---|
| <p>1</p>  <p>Remove the product from its packaging.</p> | <p>2</p>  <p>Remove the three screws to release the base plate.</p> |
| <p>3</p>  <p>Arrow points to Pathway</p> <p>Locate the position of the J bolts using the base plate.</p> | <p>4</p>  <p>x4</p> <p>Set into wet pour concrete with supply lead access in the centre.</p> |
| <p>5</p>  <p>Once the concrete is set secure the base plate with four M10 nuts.</p> | <p>6</p>  <p>Remove the three screws from the bollard to release the lamp head.</p> |
| <p>7</p>  <p>Bring in supply cable and feed it through the bollard.</p> | <p>8</p>  <p>Unscrew the gear enclosure cover and feed supply cable through the gland.</p> |

Page 2 of 4

Tamlite Technical
 Stafford Park 12,
 Telford, Shropshire,
 TF3 3BJ

+44(0)1952 292441
 technical@tamllite.co.uk
 Document No: V2

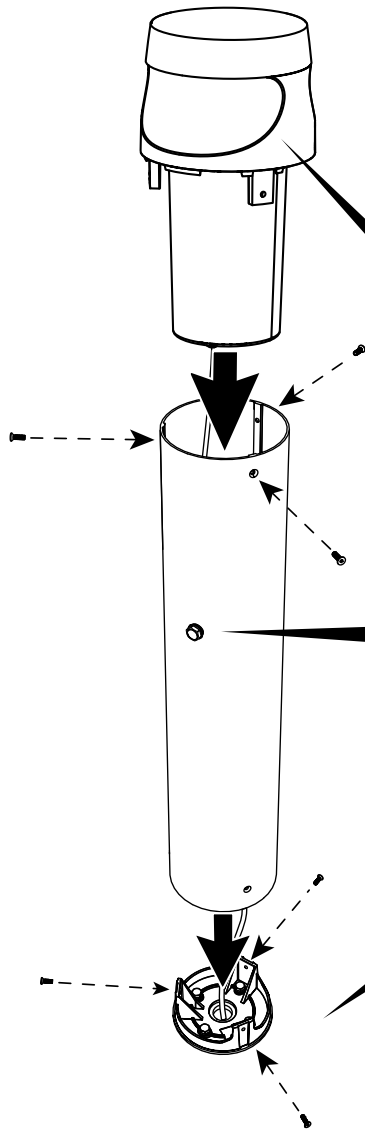
| | | | | | | | |
|---|---|---|---------------------|---|------|------|---|
|  |  |  | 220-240V 50/60Hz |  | IP65 | IK10 | ta -20°C to 25°C 5°C to 25°C for M3 variants |
|---|---|---|---------------------|---|------|------|---|

Product Name: CITY PATH

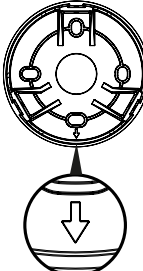
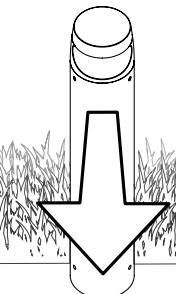
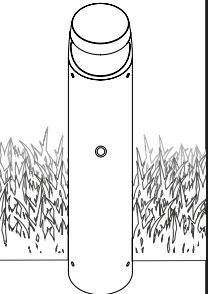
| | |
|--|--|
| <p>9</p> <p>Terminate supply cable as shown for standard and emergency.</p> | <p>10</p> <p>Terminate supply cable as shown for DALI standard and DALI emergency.</p> |
| <p>11</p> <p>Re-attach the gear enclosure.</p> | <p>12</p> <p>Photocell variant only. Connect the photocell lead to the connector on the gear enclosure.</p> |

Product Name: CITY PATH

13



Alignment Instructions


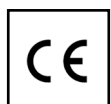


| | | |
|--|---|---|
| Mounting Bracket  Arrow Points to Pathway | Bollard  Screws point symmetrically to Pathway | Sensor  Sensor point to the Pathway |
|--|---|---|

Re-assemble luminaire as shown.

Page 4 of 4

Tamlite Technical
Stafford Park 12,
Telford, Shropshire,
TF3 3BJ

+44(0)1952 292441
technical@tamllite.co.uk
Document No: V2

| | | | | | | | |
|---|---|---|---------------------|---|------|------|---|
|  |  |  | 220-240V 50/60Hz |  | IP65 | IK10 | ta -20°C to 25°C 5°C to 25°C for M3 variants |
|---|---|---|---------------------|---|------|------|---|