



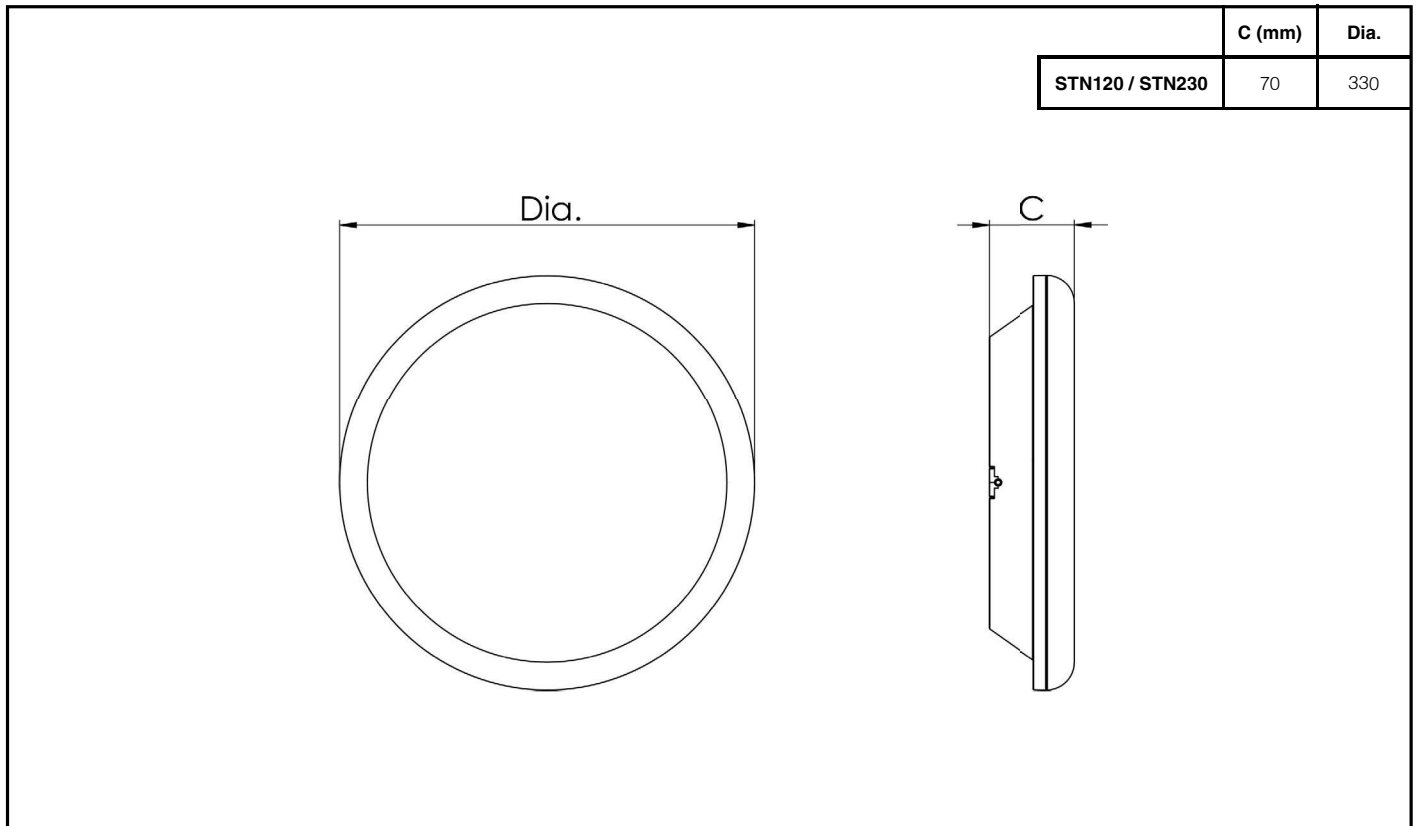
**Product Name: SATURN TRIMLESS**

## General information

- This luminaire must be installed in accordance with the latest edition of the IET Wiring Regulations and local Building Regulation by a qualified competent person.
- The mains power supply must be turned off before inspection, installation or removal of the luminaire, ensuring that the supply is locked off to prevent inadvertently switching the supply on.
- It is the installer's responsibility to ensure that the installation is suitable for the total load of the luminaire(s). The supply cable fuses/circuit breakers must be correctly rated for the electrical load and taking into account for any transient inrush currents that may occur.
- It is the installer's responsibility to ensure that the environmental operating and storage conditions are complied with and that any fire risks are considered.
- Do not perform insulation strength or insulation resistance tests on the installation with the luminaire(s) connected, this can damage the luminaires and give erroneous readings.
- Do not loop-in supply cables at the luminaire supply terminals unless there is provision for 2-way connection at the terminals.
- The light source contained in this luminaire must only be replaced by Tamlite Lighting or an appointed service agent.
- Emergency lighting luminaires must be installed and maintained in accordance with the emergency lighting standard BS 5266-1.
- To ensure that the product warranty remains valid, the luminaire must be installed and maintained in accordance with these installation instructions and the product must not be modified in any way.

- Luminaires marked with this symbol must not be covered with thermally insulating material.
- This symbol on covers over light sources indicates dangerous live parts do not operate the luminaire with this cover removed.

## Dimensions



**Page 1 of 3**

Tamlite Technical  
Stafford Park 12,  
Telford, Shropshire,  
TF3 3BJ

+44(0)1952 292441  
technical@tamlite.co.uk  
Document No: V1



Product Name: SATURN TRIMLESS

<p>1</p> <p>Remove the product from its packaging.</p>	<p>2</p> <p>Loosen the two screws and remove the mounting bracket.</p>
<p>3</p> <p>Secure the bracket to the mounting surface with appropriate hardware.</p>	<p>4</p> <p>Loosen the four screws and remove the diffuser.</p>
<p>5</p> <p>Loosen the four screws and disconnect the wire to remove the LED board.</p>	<p>6</p> <p>Bring incoming supply cable through the cable entry point.</p>
<p>7</p> <p>Terminations shown for standard and emergency variants.</p>	<p>8</p> <p>Terminations shown for DALI dimmable and DALI emergency variants.</p>



Product Name: SATURN TRIMLESS

