



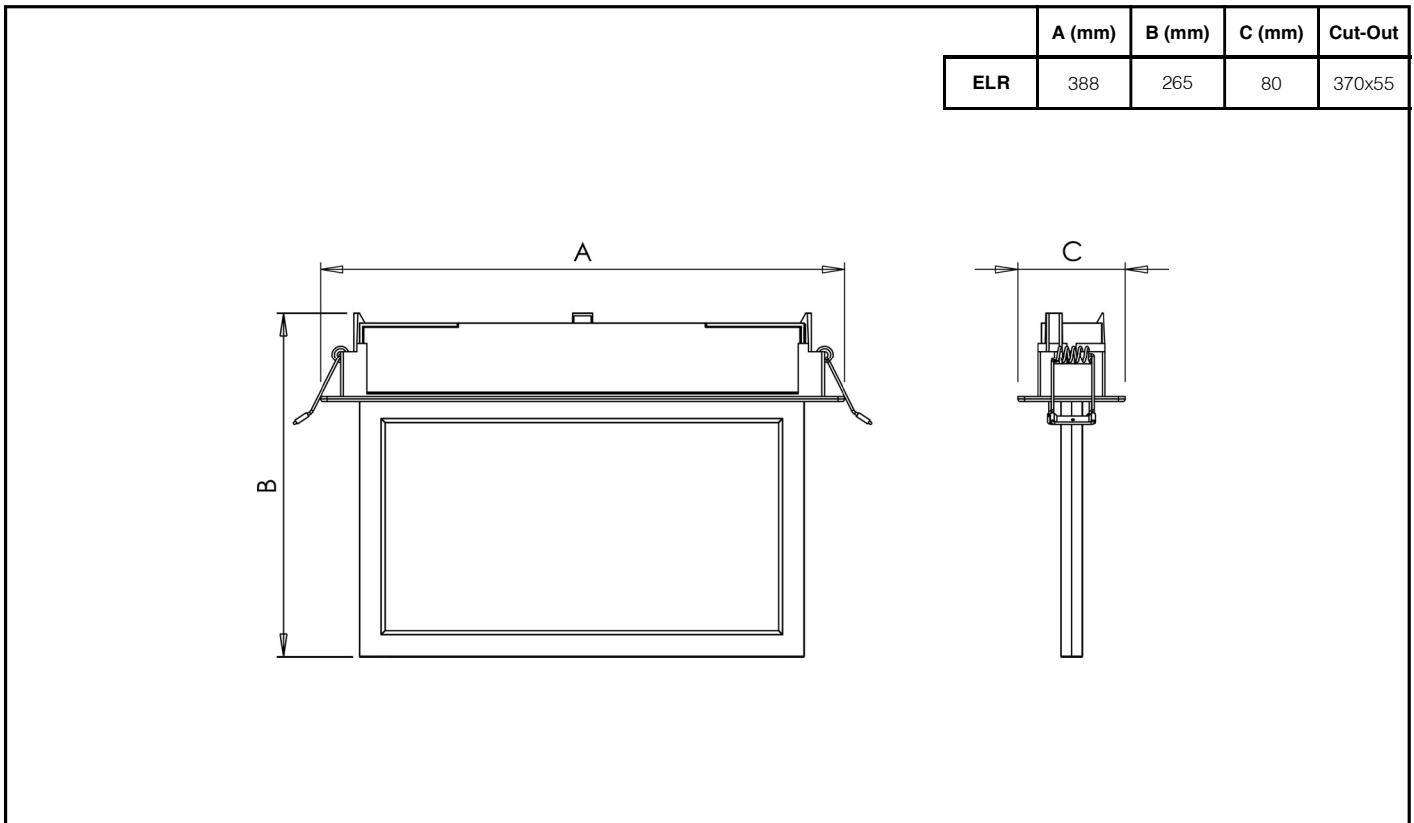
**Product Name: ELITE BL RECESSED**

## General information

- This luminaire must be installed in accordance with the latest edition of the IET Wiring Regulations and local Building Regulation by a qualified competent person.
- The mains power supply must be turned off before inspection, installation or removal of the luminaire, ensuring that the supply is locked off to prevent inadvertently switching the supply on.
- It is the installer's responsibility to ensure that the installation is suitable for the total load of the luminaire(s). The supply cable fuses/circuit breakers must be correctly rated for the electrical load and taking into account for any transient inrush currents that may occur.
- It is the installer's responsibility to ensure that the environmental operating and storage conditions are complied with and that any fire risks are considered.
- Do not perform insulation strength or insulation resistance tests on the installation with the luminaire(s) connected, this can damage the luminaires and give erroneous readings.
- Do not loop-in supply cables at the luminaire supply terminals unless there is provision for 2-way connection at the terminals.
- The light source contained in this luminaire must only be replaced by TamLite Lighting or an appointed service agent.
- Emergency lighting luminaires must be installed and maintained in accordance with the emergency lighting standard BS 5266-1.
- To ensure that the product warranty remains valid, the luminaire must be installed and maintained in accordance with these installation instructions and the product must not be modified in any way.

-  Luminaires marked with this symbol must not be covered with thermally insulating material.
-  This symbol on covers over light sources indicates dangerous live parts do not operate the luminaire with this cover removed.

## Dimensions



Product Name: ELITE BL RECESSED

<p><b>1</b></p> <p>Remove the product from its packaging.</p>	<p><b>2</b></p> <p>Bring the supply cable through installation position.</p>
<p><b>3</b></p> <p>Release the two tabs and remove the cover plate.</p>	<p><b>4</b></p> <p>Select and prepare the appropriate cable entry.</p>
<p><b>5</b></p> <p>Switched maintained      Non maintained      Unswitched maintained</p>	<p><b>6</b></p> <p>Reattach the luminaire to the cover plate.</p>
<p><b>7</b></p> <p>Insert the luminaire and indicator into the recess frame.</p>	<p><b>8</b></p> <p>Fold the recess arms back and install the luminaire into position.</p>

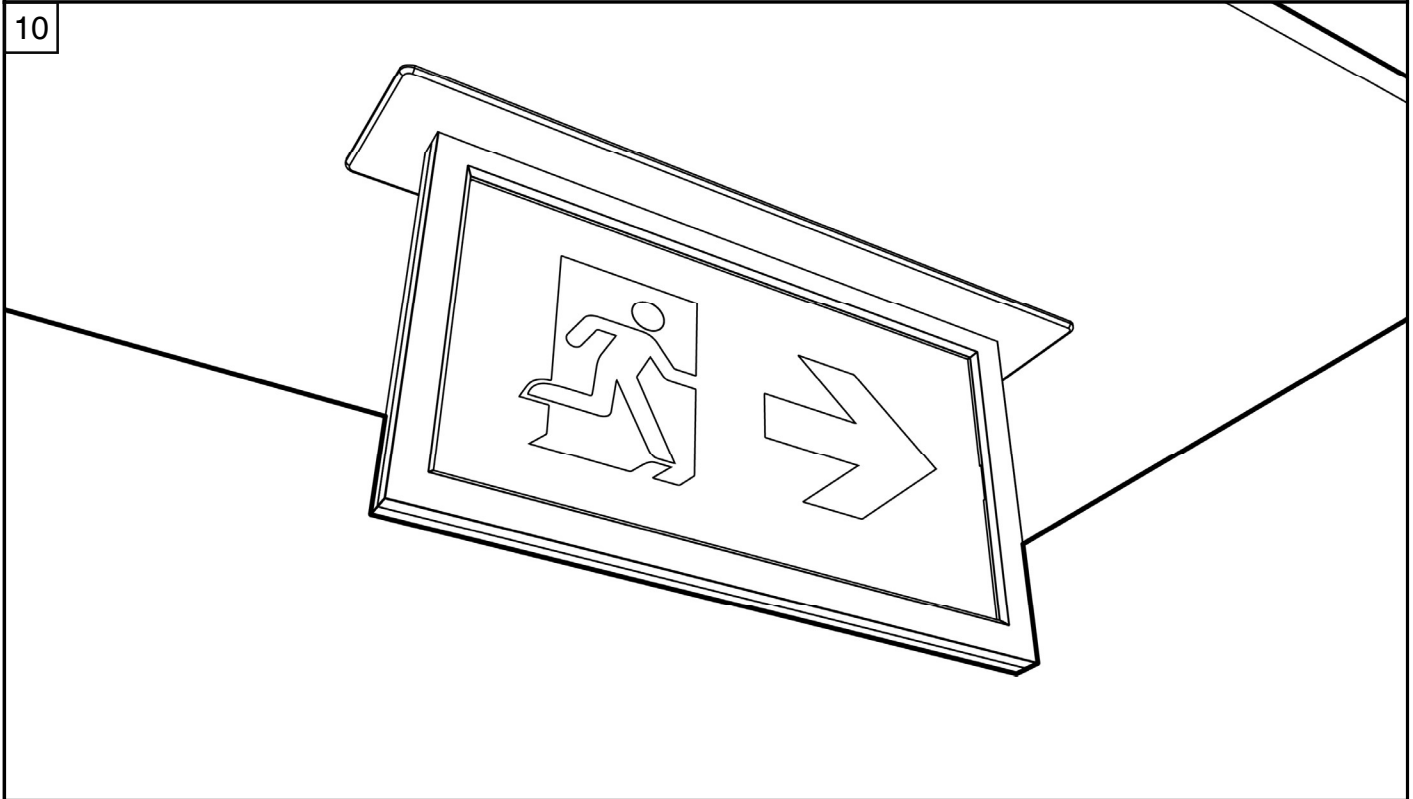
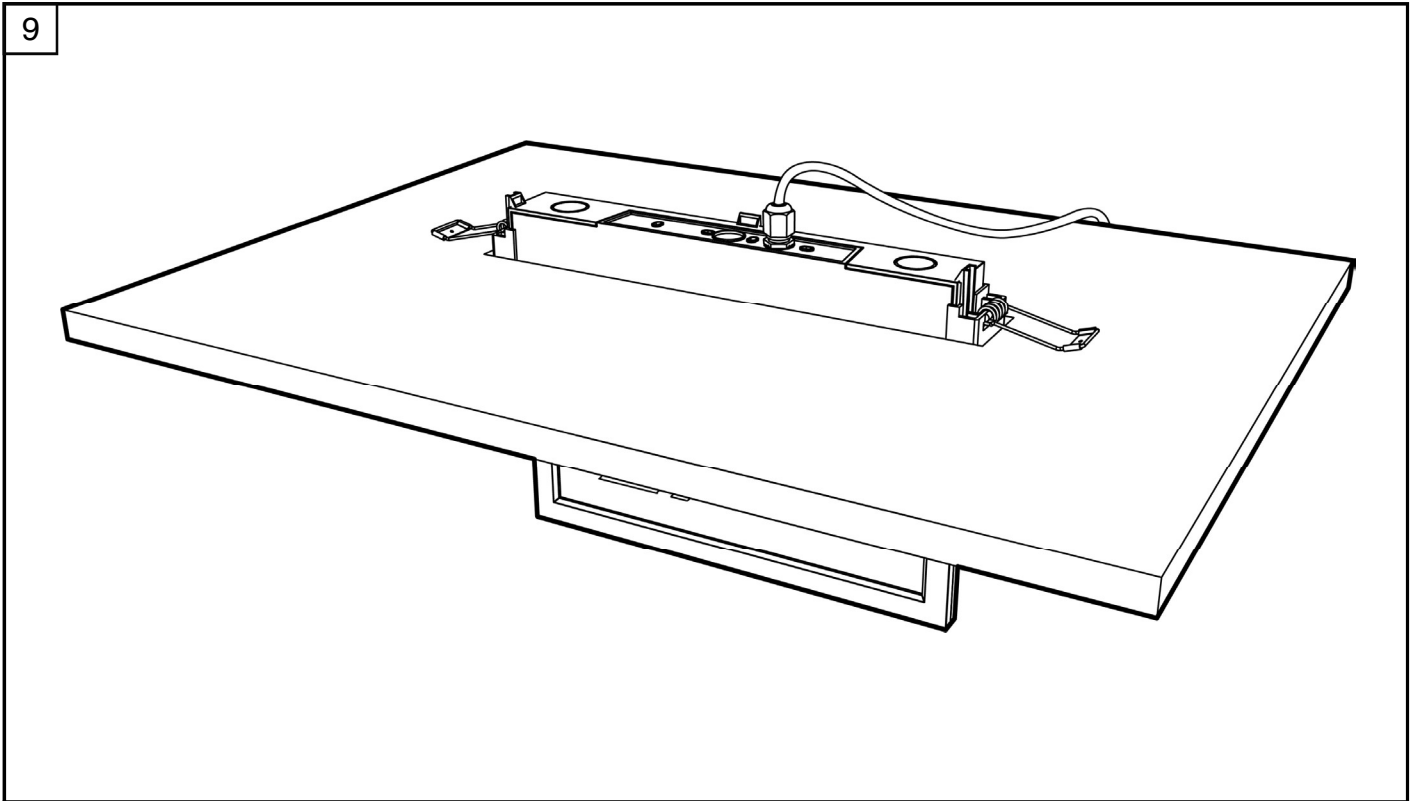
## Page 2 of 3

Tamlite Technical  
 Stafford Park 12,  
 Telford, Shropshire,  
 TF3 3BJ

+44(0)1952 292441  
 technical@tamlite.co.uk  
 Document No: V1

			220-240V 50/60Hz		IP20	IK04	ta 5°C to 25°C
--	--	--	---------------------	--	------	------	-------------------

Product Name: ELITE BL RECESSED



Page 3 of 3

Tamlite Technical  
Stafford Park 12,  
Telford, Shropshire,  
TF3 3BJ

+44(0)1952 292441  
technical@tamlite.co.uk  
Document No: V1

